



K *hunnai*
by Elle

• *Thai Cuisine* •

Drinks List

Khunnai

by Elle



Prosecco and Champagne

1. PROSECCO, LE DOLCI NV (20CL), IT

CLASSY PROSECCO, CRISP AND DELICIOUSLY FROTHY WITH RIPE APPLE AND CITRUS

● 20CL - £9.95

2. PROSECCO, LE DOLCI NV, IT

CLASSY PROSECCO, CRISP & DELICIOUSLY FROTHY WITH RIPE APPLE & CITRUS

● BOTTLE - £27.95

3. CHAMPAGNE BRUT, PIERRE MIGNON NV, FR

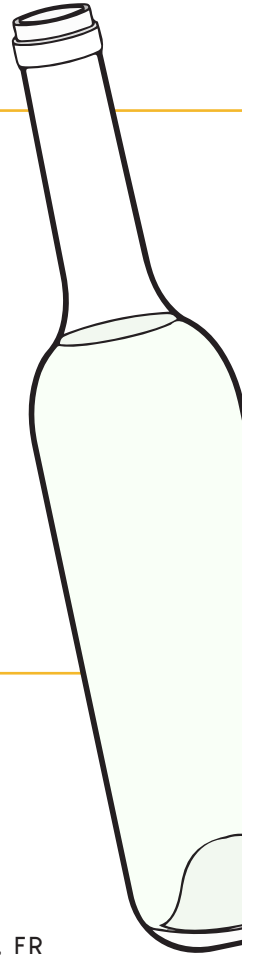
A FRESH APERITIF CHAMPAGNE WITH A BALANCE OF CITRUS, STONE FRUIT & BRIOCHE

● BOTTLE - £45.00

4. CHAMPAGNE ROSE, PIERRE MIGNON NV, FR

SALMON PINK, FRESH WITH LOVELY REDCURRANTS AND SOME BISCUITY CHARACTERS

● BOTTLE - £50.00



White

5. MONSOON VALLEY WHITE, TH

REFRESHING & DRY WITH GUAVA, CITRUS & MANGO

● 175ML - £5.70

● 250ML - £7.70

● BOTTLE - £21.95

6. HOUSE WHITE, SA

A BRILLIANT BLEND FROM SOUTH AFRICA, WITH FLESHY STONE FRUITS AND A CRISP, TEXTURED FINISH

● 175ML - £5.90

● 250ML - £8.10

● BOTTLE - £22.95

7. PINOT GRIGIO, PRINCIPATO, IT

FRESH, DRY & CRISP WITH APPLE, STONE FRUIT & LEMON AND LOVELY DRY FINISH

● BOTTLE - £24.95

8. PICPOUL ROUSSANNE, ORDINAL, FR

REFRESHING CITRUS FROM THE PICPOUL AND A ROUND, AROMATIC FINISH FROM THE ROUSSANNE

● BOTTLE - £26.95

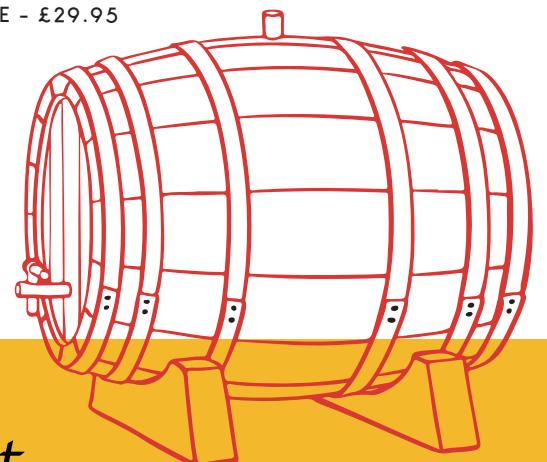
9. SAUVIGNON BLANC, CLOUD FACTORY, NZ

CLASSIC MARLBOROUGH, CRISP WITH TROPICAL FRUIT AND GOOSEBERRY

● 175ML - £7.70

● 250ML - £10.50

● BOTTLE - £29.95



Drinks List

*K*hunnai *by Elle*



Rose

10. MONSOON VALLEY ROSE, TH

FRESH, CRISP & FRUITY WITH STRAWBERRIES & TROPICAL FRUITS.

- 175ML - £5.70
- 250ML - £7.70
- BOTTLE - £21.95

11. ZINFANDEL BLUSH, BIG TOP, USA

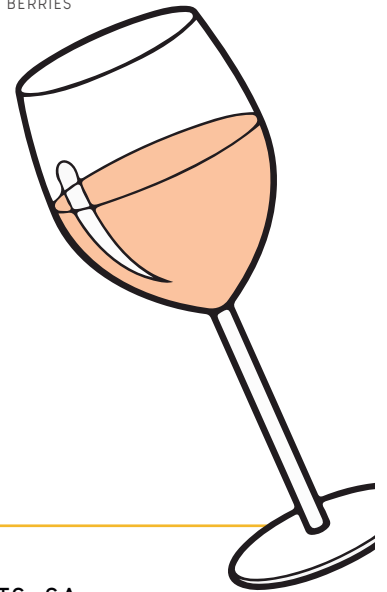
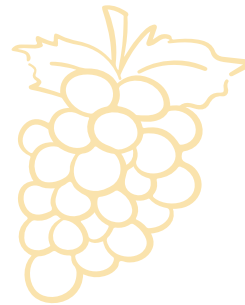
SLIGHTLY SWEET, YET REFRESHING & MOREISH, WITH STRAWBERRIES AND BRIGHT RED FRUITS

- 175ML - £5.90
- 250ML - £8.10
- BOTTLE - £22.95

12. FRENCH ROSE, LES OLIVIERS, FR

PALE AND DRY WITH STRAWBERRIES, RED BERRIES AND A CRISP DRY FINISH

- BOTTLE - £22.95



Red

13. MONSOON VALLEY RED, TH

ELEGANT AND SOFT WITH PLUMS, RED BERRIES & SPICE

- 175ML - £5.70
- 250ML - £7.70
- BOTTLE - £21.95

14. HOUSE RED, SA

A MIX OF CLASSIC S. AFRICAN VARIETIES WITH CREAMY SUMMER PUDDING & CRUSHED CHERRIES

- 175ML - £5.90
- 250ML - £8.10
- BOTTLE - £22.95

15. MERLOT, SIERRA GRANDE, CH

SOFT, ELEGANT AND FULL OF PLUMMY VANILLA AND A TOUCH OF SPICE

- BOTTLE - £24.95

16. SHIRAZ, CAPE HEIGHTS, SA

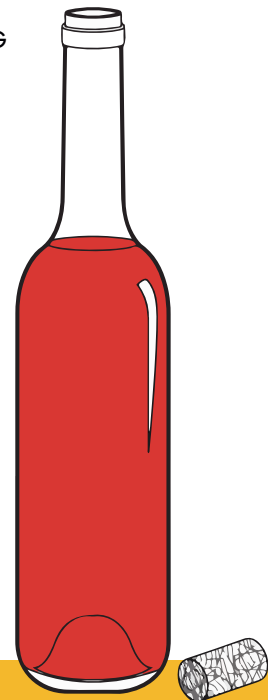
JUICY AND RICH WITH PLUM, BLACKBERRY AND A TOUCH OF PEPPER

- BOTTLE - £25.95

17. MALBEC, CINCO FINCAS, ARG

PLUM, BLACKBERRY AND CHERRY WITH HINTS OF DARK CHOCOLATE WITH A SOFT FINISH

- BOTTLE - £27.95



Drinks List

*K*hunnai by Elle

Bottled Beer

18. TIGER BEER (330ML) - £4.95

20. CHANG BEER (330ML) - £4.95

19. SINGHA BEER (330ML) - £4.95

Soft Drinks

COKE / DIET COKE / LEMONADE - £2.95

ORANGE, APPLE, PINEAPPLE,
CRANBERRY JUICE - £2.95

TONIC, SODA WATER - £2.45

GREEN TEA, JASMINE TEA - £2.50

BOTTLE ROSE LEMONADE - £3.95

BOTTLE GREEN ELDERFLOWER - £3.45

MINERAL WATER:

STILL / SPARKLING

● 30ML - £1.80 ● 750ML - £3.00

Spirits and Liqueurs

BOMBAY SAPPHIRE (25ML) - £4.95

JACK DANIELS BOURBON (25ML) - £5.25

SMIRNOFF VODKA (25ML) - £4.95

COINTREAU (25ML) - £5.25

GORDON'S GIN (25ML) - £4.50

COURVOISIER VSOP (25ML) - £5.25

SOUTHERN COMFORT (25ML) - £4.95

DRAMBUIE (25ML) - £5.25

BELL'S SCOTCH (25ML) - £4.50

GRAND MARNIER (25ML) - £5.25

BACARDI RUM (25ML) - £5.25

KAHLUA (25ML) - £5.25

JAMESON IRISH WHISKEY (25ML) - £4.50

MALIBU (25ML) - £5.25

DI SARONNO AMARETTO (25ML) - £5.25

SAMBUCA (25ML) - £5.25

JOHNNIE WALKER BLACK LABEL
(25ML) - £4.50

TIA MARIA (25ML) - £5.25

ARCHERS (25ML) - £4.95

JOSE CUERVO TEQUILA
(25ML) - £5.25

MIXER - £1.20

CINZANO, PERNOD
(50ML) - £4.95

MARTINI EXTRA DRY,
MARTINI ROSSO (50ML) - £4.50

BAILEYS (50ML) - £4.95

Drinks List